

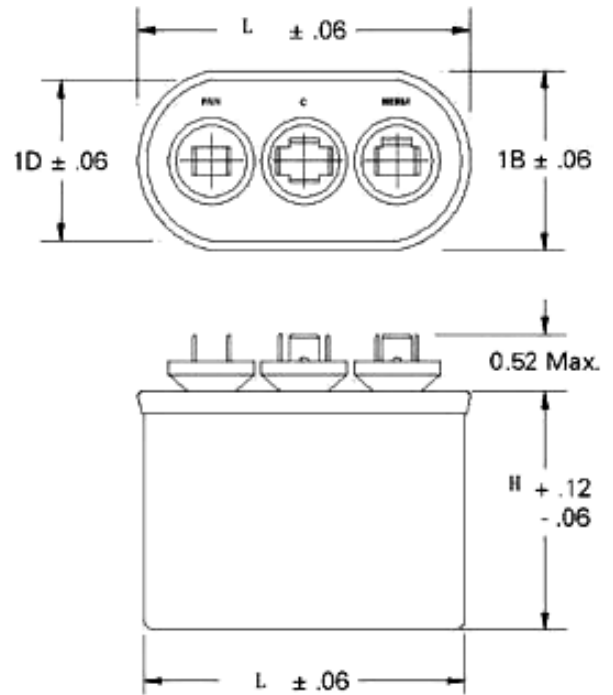
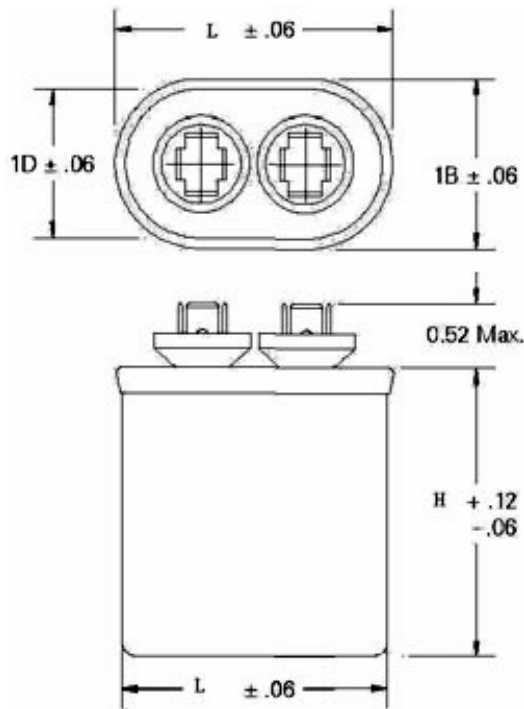


Features

CBB65B Motor Run Capacitor, Oval metal can Single and dual type

- 1) Very small dissipation factor, small inherent temperature rise
- 2) High insulation resistance
- 3) Good capacitance stability
- 4) Excellent self-healing property
- 5) Safety and high reliability due to flame retardant plastic or metal case enclosure, flame retardant epoxy resin endfill.
- 6) It is applicable for the starting and running of AC single-way motor with 50~60Hz frequency.
- 7) Special requirement can be made at the request of customers.
- 8) Class P2 Explosion-proof

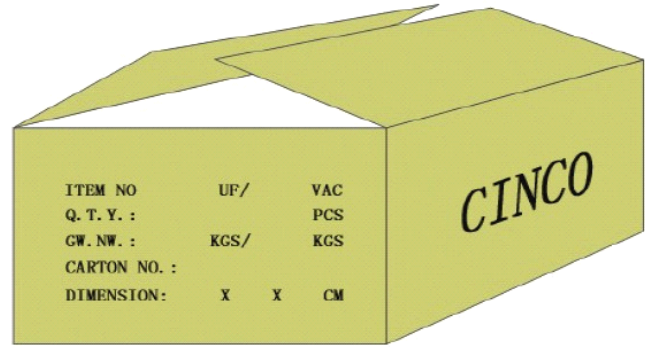
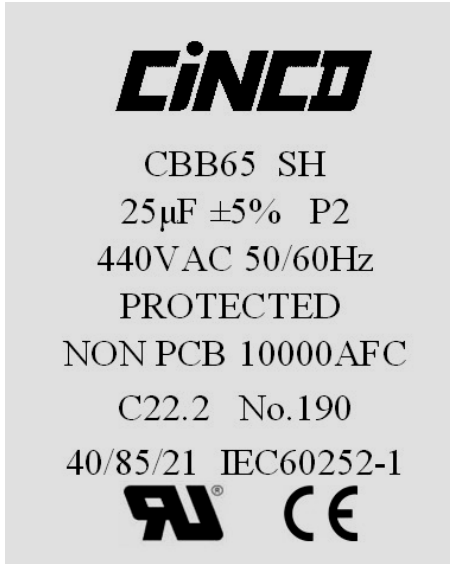
Capacitor Drawing



Specification

Item	Technical specification
Operating temperature	-25°C – +85°C
Capacitance Range	2μF – 100μF
Capacitance tolerance	±5%
Rated Voltage	250Vac – 540VAC
Dissipation Factor	$\text{tg}\delta \leq 0.002$ (50Hz)
Withstand Voltage Between Leading-out ends	$\text{AC} \geq 1.75U_n$ 10S ($I_{\text{max}} \leq 1.3I_n$)
Withstand Voltage Between Leading-out ends and Shell	2200VAC, 10S no breakdown
Insulation Resistance	3000MO.μF
Weather Category	25/70/21,40/85/21

Packing and Mark



Dimensions

I : Single type air conditioner capacitor

Capacitance	Oval Can											
	370 VAC – 400 VAC						440 VAC – 450 VAC					
	L (mm)	L (inch)	B (mm)	B (inch)	H (mm)	H (inch)	L (mm)	L (inch)	B (mm)	B (inch)	H (mm)	H (inch)
2 μ F	50	1.97"	32	1.26"	60	2.36"	50	1.97"	32	1.26"	60	2.36"
3 μ F	50	1.97"	32	1.26"	60	2.36"	50	1.97"	32	1.26"	60	2.36"
5 μ F	50	1.97"	32	1.26"	60	2.36"	50	1.97"	32	1.26"	60	2.36"
7.5 μ F	50	1.97"	32	1.26"	60	2.36"	50	1.97"	32	1.26"	60	2.36"
10 μ F	50	1.97"	32	1.26"	60	2.36"	50	1.97"	32	1.26"	60	2.36"
12.5 μ F	50	1.97"	32	1.26"	60	2.36"	71	2.80"	45	1.77"	80	3.15"
15 μ F	50	1.97"	32	1.26"	60	2.36"	71	2.80"	45	1.77"	80	3.15"
17.5 μ F	71	2.80"	45	1.77"	80	3.15"	71	2.80"	45	1.77"	80	3.15"
20 μ F	71	2.80"	45	1.77"	80	3.15"	71	2.80"	45	1.77"	80	3.15"
22.5 μ F	71	2.80"	45	1.77"	80	3.15"	71	2.80"	45	1.77"	90	3.54"
25 μ F	71	2.80"	45	1.77"	80	3.15"	71	2.80"	45	1.77"	90	3.54"
27.5 μ F	71	2.80"	45	1.77"	80	3.15"	71	2.80"	45	1.77"	90	3.54"
30 μ F	71	2.80"	45	1.77"	90	3.54"	71	2.80"	45	1.77"	90	3.54"
32.5 μ F	71	2.80"	45	1.77"	90	3.54"	71	2.80"	45	1.77"	90	3.54"
35 μ F	71	2.80"	45	1.77"	90	3.54"	71	2.80"	45	1.77"	90	3.54"
37.5 μ F	71	2.80"	45	1.77"	90	3.54"	71	2.80"	45	1.77"	110	4.33"
40 μ F	71	2.80"	45	1.77"	90	3.54"	71	2.80"	45	1.77"	110	4.33"

CBB65 Motor Run Capacitor

Model : CBB65B

45μF	71	2.80"	45	1.77"	90	3.54"	71	2.80"	45	1.77"	110	4.33"
50μF	71	2.80"	45	1.77"	90	3.54"	71	2.80"	45	1.77"	110	4.33"
55μF	71	2.80"	45	1.77"	110	4.33"	71	2.80"	45	1.77"	110	4.33"
60μF	71	2.80"	45	1.77"	110	4.33"	71	2.80"	45	1.77"	130	5.12"
65μF	71	2.80"	45	1.77"	110	4.33"	71	2.80"	45	1.77"	130	5.12"
70μF	71	2.80"	45	1.77"	130	5.12"	71	2.80"	45	1.77"	130	5.12"
80μF	71	2.80"	45	1.77"	130	5.12"	71	2.80"	45	1.77"	130	5.12"
100μF	71	2.80"	45	1.77"	130	5.12"	71	2.80"	45	1.77"	130	5.12"

II : Dual type air conditioner capacitor

Capacitance	Oval Can											
	370 VAC – 400 VAC						440 VAC – 450 VAC					
	L (m m)	L (Inch)	B (mm)	B (Inch)	H (mm)	H (Inch)	L (mm)	L (Inch)	B (mm)	B (Inch)	H (m m)	H (Inch)
15+1.5μF	71	2.80"	45	1.77"	80	3.15"	71	2.80"	45	1.77"	80	3.15"
15+3μF	71	2.80"	45	1.77"	80	3.15"	71	2.80"	45	1.77"	80	3.15"
15+5μF	71	2.80"	45	1.77"	80	3.15"	71	2.80"	45	1.77"	80	3.15"
20+1.5μF	71	2.80"	45	1.77"	80	3.15"	71	2.80"	45	1.77"	80	3.15"
20+3μF	71	2.80"	45	1.77"	80	3.15"	71	2.80"	45	1.77"	80	3.15"
20+5μF	71	2.80"	45	1.77"	80	3.15"	71	2.80"	45	1.77"	80	3.15"
25+1.5μF	71	2.80"	45	1.77"	80	3.15"	71	2.80"	45	1.77"	80	3.15"
25+2.5μF	71	2.80"	45	1.77"	80	3.15"	71	2.80"	45	1.77"	80	3.15"
25+3μF	71	2.80"	45	1.77"	80	3.15"	71	2.80"	45	1.77"	80	3.15"
25+4μF	71	2.80"	45	1.77"	80	3.15"	71	2.80"	45	1.77"	80	3.15"
25+5μF	71	2.80"	45	1.77"	80	3.15"	71	2.80"	45	1.77"	80	3.15"
30+1.5μF	71	2.80"	45	1.77"	90	3.54"	71	2.80"	45	1.77"	90	3.54"
30+2.5μF	71	2.80"	45	1.77"	90	3.54"	71	2.80"	45	1.77"	90	3.54"
30+3μF	71	2.80"	45	1.77"	90	3.54"	71	2.80"	45	1.77"	90	3.54"
30+4μF	71	2.80"	45	1.77"	90	3.54"	71	2.80"	45	1.77"	90	3.54"
30+5μF	71	2.80"	45	1.77"	90	3.54"	71	2.80"	45	1.77"	90	3.54"
35+1.5μF	71	2.80"	45	1.77"	90	3.54"	71	2.80"	45	1.77"	90	3.54"
35+2.5μF	71	2.80"	45	1.77"	90	3.54"	71	2.80"	45	1.77"	90	3.54"
35+3μF	71	2.80"	45	1.77"	90	3.54"	71	2.80"	45	1.77"	90	3.54"
35+4μF	71	2.80"	45	1.77"	90	3.54"	71	2.80"	45	1.77"	90	3.54"
35+5μF	71	2.80"	45	1.77"	90	3.54"	71	2.80"	45	1.77"	90	3.54"
35+6μF	71	2.80"	45	1.77"	90	3.54"	71	2.80"	45	1.77"	90	3.54"
40+1.5μF	71	2.80"	45	1.77"	90	3.54"	71	2.80"	45	1.77"	90	3.54"
40+2.5μF	71	2.80"	45	1.77"	90	3.54"	71	2.80"	45	1.77"	90	3.54"
40+3μF	71	2.80"	45	1.77"	90	3.54"	71	2.80"	45	1.77"	90	3.54"
40+4μF	71	2.80"	45	1.77"	90	3.54"	71	2.80"	45	1.77"	90	3.54"
40+5μF	71	2.80"	45	1.77"	90	3.54"	71	2.80"	45	1.77"	90	3.54"

CBB65 Motor Run Capacitor

Model : CBB65B

40+6μF	71	2.80"	45	1.77"	90	3.54"	71	2.80"	45	1.77"	90	3.54"
40+7.5μF	71	2.80"	45	1.77"	90	3.54"	71	2.80"	45	1.77"	90	3.54"
40+10μF	71	2.80"	45	1.77"	90	3.54"	71	2.80"	45	1.77"	90	3.54"
45+1.5μF	71	2.80"	45	1.77"	90	3.54"	71	2.80"	45	1.77"	90	3.54"
45+2.5μF	71	2.80"	45	1.77"	90	3.54"	71	2.80"	45	1.77"	90	3.54"
45+3μF	71	2.80"	45	1.77"	90	3.54"	71	2.80"	45	1.77"	90	3.54"
45+4μF	71	2.80"	45	1.77"	110	4.33"	71	2.80"	45	1.77"	110	4.33"
45+5μF	71	2.80"	45	1.77"	110	4.33"	71	2.80"	45	1.77"	110	4.33"
45+6μF	71	2.80"	45	1.77"	110	4.33"	71	2.80"	45	1.77"	110	4.33"
50+1.5μF	71	2.80"	45	1.77"	110	4.33"	71	2.80"	45	1.77"	110	4.33"
50+2.5μF	71	2.80"	45	1.77"	110	4.33"	71	2.80"	45	1.77"	110	4.33"
50+3μF	71	2.80"	45	1.77"	110	4.33"	71	2.80"	45	1.77"	110	4.33"
50+4μF	71	2.80"	45	1.77"	110	4.33"	71	2.80"	45	1.77"	110	4.33"
50+5μF	71	2.80"	45	1.77"	110	4.33"	71	2.80"	45	1.77"	110	4.33"
50+6μF	71	2.80"	45	1.77"	110	4.33"	71	2.80"	45	1.77"	110	4.33"
50+7.5μF	71	2.80"	45	1.77"	110	4.33"	71	2.80"	45	1.77"	110	4.33"
50+10μF	71	2.80"	45	1.77"	110	4.33"	71	2.80"	45	1.77"	110	4.33"
55+1.5μF	71	2.80"	45	1.77"	110	4.33"	71	2.80"	45	1.77"	110	4.33"
55+2.5μF	71	2.80"	45	1.77"	110	4.33"	71	2.80"	45	1.77"	110	4.33"
55+3μF	71	2.80"	45	1.77"	110	4.33"	71	2.80"	45	1.77"	110	4.33"
55+4μF	71	2.80"	45	1.77"	110	4.33"	71	2.80"	45	1.77"	110	4.33"
55+5μF	71	2.80"	45	1.77"	110	4.33"	71	2.80"	45	1.77"	110	4.33"
55+6μF	71	2.80"	45	1.77"	110	4.33"	71	2.80"	45	1.77"	110	4.33"
55+7.5μF	71	2.80"	45	1.77"	110	4.33"	71	2.80"	45	1.77"	110	4.33"
55+10μF	71	2.80"	45	1.77"	110	4.33"	71	2.80"	45	1.77"	110	4.33"
60+1.5μF	71	2.80"	45	1.77"	110	4.33"	71	2.80"	45	1.77"	110	4.33"
60+2.5μF	71	2.80"	45	1.77"	110	4.33"	71	2.80"	45	1.77"	110	4.33"
60+3μF	71	2.80"	45	1.77"	110	4.33"	71	2.80"	45	1.77"	110	4.33"
60+4μF	71	2.80"	45	1.77"	110	4.33"	71	2.80"	45	1.77"	110	4.33"
60+5μF	71	2.80"	45	1.77"	130	5.12"	71	2.80"	45	1.77"	130	5.12"
60+6μF	71	2.80"	45	1.77"	130	5.12"	71	2.80"	45	1.77"	130	5.12"
60+7.5μF	71	2.80"	45	1.77"	130	5.12"	71	2.80"	45	1.77"	130	5.12"
60+10μF	71	2.80"	45	1.77"	130	5.12"	71	2.80"	45	1.77"	130	5.12"
65+1.5μF	71	2.80"	45	1.77"	130	5.12"	71	2.80"	45	1.77"	130	5.12"
65+3μF	71	2.80"	45	1.77"	130	5.12"	71	2.80"	45	1.77"	130	5.12"
65+5μF	71	2.80"	45	1.77"	130	5.12"	71	2.80"	45	1.77"	130	5.12"
65+7.5μF	71	2.80"	45	1.77"	130	5.12"	71	2.80"	45	1.77"	130	5.12"
70+5μF	71	2.80"	45	1.77"	130	5.12"	71	2.80"	45	1.77"	130	5.12"
80+5μF	71	2.80"	45	1.77"	130	5.12"	71	2.80"	45	1.77"	130	5.12"
80+7.5μF	71	2.80"	45	1.77"	130	5.12"	71	2.80"	45	1.77"	130	5.12"
80+10μF	71	2.80"	45	1.77"	130	5.12"	71	2.80"	45	1.77"	130	5.12"



if you could not find your item of above, you could contact me by email at sales@china-capacitores.com Special specification are available on request.