

CD60 Motor Start Capacitor

Model : CD60A

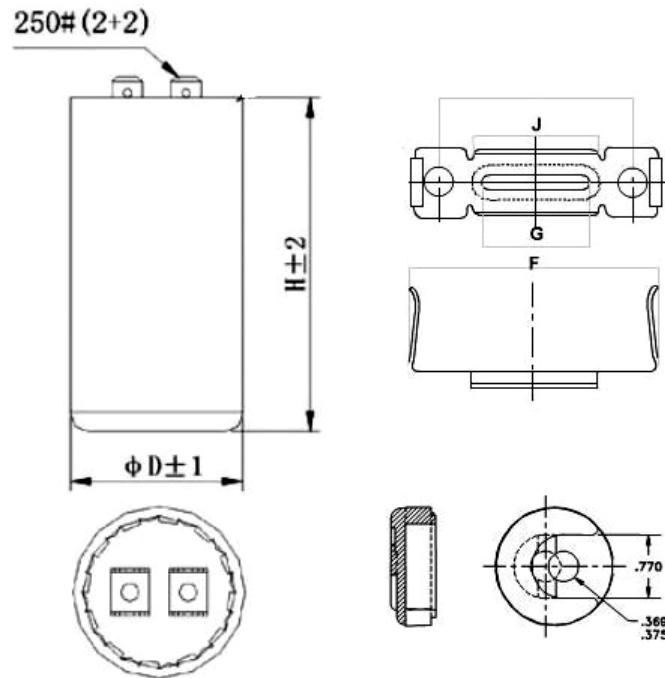


Features

CD60A Motor Start Capacitor, Double Faston Quickly Connect

It applies to A.C. single phase motor, with frequency 50/60Hz, rated voltage 110-330VAC. It can help motors gain high torque with low starting current and make motor start normally. It can also start refrigerators and compressors of air condition, etc.

Capacitor Drawing



Specification

Working Temperature Range	-40—+65℃
Rated Voltage Range	110V,150V,165V,220V,250V,275V,300V,330VAC
Rated Capacitance Range	21-1536μF
Dissipation Factor	Tan ≤ 0.01 (50 Hz)
Rated Tolerance of capacitance	0-+20%
Without Voltage Between Terminal	Apply 1.25 times working voltage, for 2 Seconds,without break down or explosion
Withstand Voltage Between Terminal -case	2000Vac ,for 10 seconds,without break down or explosion

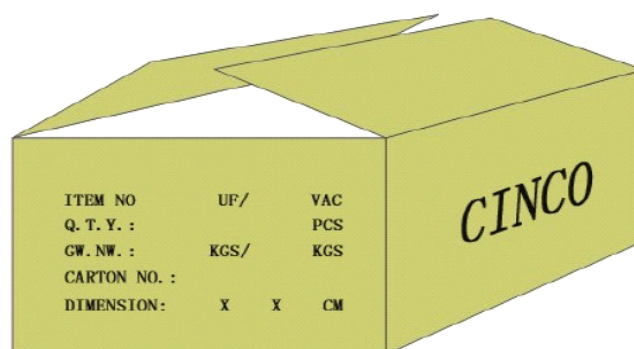
CD60 Motor Start Capacitor

Model : CD60A

Packing and Mark

CINCO

CD60 Capacitor
270-324 μ F 0- +20%
220 / 250 V.AC
50/60Hz 25/55/21



Dimensions

Capacitance	Rated Voltage 115V- 165V				Rated Voltage 220V- 250V				Rated Voltage 300V-330V			
	D (mm)	D (in)	H (mm)	H (in)	D (mm)	D (in)	H (mm)	H (in)	D (mm)	D (in)	H (mm)	H (in)
21-25 μ F	36.5	1.44"	69.85	2.75"	36.5	1.44"	69.85	2.75"	36.5	1.44"	85.72	3.37"
25-30 μ F	36.5	1.44"	69.85	2.75"	36.5	1.44"	69.85	2.75"	36.5	1.44"	85.72	3.37"
30-36 μ F	36.5	1.44"	69.85	2.75"	36.5	1.44"	69.85	2.75"	36.5	1.44"	85.72	3.37"
36-43 μ F	36.5	1.44"	69.85	2.75"	36.5	1.44"	85.72	3.37"	36.5	1.44"	85.72	3.37"
43-52 μ F	36.5	1.44"	69.85	2.75"	36.5	1.44"	85.72	3.37"	36.5	1.44"	85.72	3.37"
47-56 μ F	36.5	1.44"	69.85	2.75"	36.5	1.44"	85.72	3.37"	36.5	1.44"	85.72	3.37"
53-64 μ F	36.5	1.44"	69.85	2.75"	36.5	1.44"	85.72	3.37"	46.02	1.81"	85.72	3.37"
64-77 μ F	36.5	1.44"	69.85	2.75"	36.5	1.44"	85.72	3.37"	46.02	1.81"	85.72	3.37"
72-86 μ F	36.5	1.44"	69.85	2.75"	36.5	1.44"	85.72	3.37"	46.02	1.81"	111.12	4.37"
88-108 μ F	36.5	1.44"	69.85	2.75"	46.02	1.81"	85.72	3.37"	46.02	1.81"	111.12	4.37"
108-130 μ F	36.5	1.44"	69.85	2.75"	46.02	1.81"	85.72	3.37"	46.02	1.81"	111.12	4.37"
124-149 μ F	36.5	1.44"	69.85	2.75"	46.02	1.81"	85.72	3.37"	46.02	1.81"	111.12	4.37"
130-156 μ F	36.5	1.44"	69.85	2.75"	46.02	1.81"	85.72	3.37"	46.02	1.81"	111.12	4.37"
145-174 μ F	36.5	1.44"	69.85	2.75"	46.02	1.81"	111.12	4.37"	52.37	2.06"	111.12	4.37"
161-193 μ F	36.5	1.44"	69.85	2.75"	46.02	1.81"	111.12	4.37"	52.37	2.06"	111.12	4.37"
189-227 μ F	36.5	1.44"	69.85	2.75"	46.02	1.81"	111.12	4.37"	52.37	2.06"	111.12	4.37"
216-259 μ F	36.5	1.44"	85.72	3.37"	46.02	1.81"	111.12	4.37"	52.37	2.06"	111.12	4.37"
223-280 μ F	36.5	1.44"	85.72	3.37"	46.02	1.81"	111.12	4.37"	52.37	2.06"	111.12	4.37"
243-292 μ F	36.5	1.44"	85.72	3.37"	46.02	1.81"	111.12	4.37"	52.37	2.06"	111.12	4.37"
270-324 μ F	36.5	1.44"	85.72	3.37"	52.37	2.06"	111.12	4.37"	52.37	2.06"	111.12	4.37"

CD60 Motor Start Capacitor

Model : CD60A

300-360 μ F	36.5	1.44"	85.72	3.37"	52.37	2.06"	111.12	4.37"				
324-389 μ F	36.5	1.44"	85.72	3.37"	52.37	2.06"	111.12	4.37"				
340-408 μ F	46.02	1.81"	85.72	3.37"	52.37	2.06"	111.12	4.37"				
378-454 μ F	46.02	1.81"	85.72	3.37"	52.37	2.06"	111.12	4.37"				
400-480 μ F	46.02	1.81"	85.72	3.37"	52.37	2.06"	111.12	4.37"				
430-516 μ F	46.02	1.81"	85.72	3.37"	52.37	2.06"	111.12	4.37"				
460-552 μ F	46.02	1.81"	85.72	3.37"	52.37	2.06"	111.12	4.37"				
540-648 μ F	46.02	1.81"	111.12	4.37"								
590-708 μ F	46.02	1.81"	111.12	4.37"								
645-774 μ F	46.02	1.81"	111.12	4.37"								
708-850 μ F	46.02	1.81"	111.12	4.37"								
720-864 μ F	46.02	1.81"	111.12	4.37"								
800-960 μ F	46.02	1.81"	111.12	4.37"								
815-978 μ F	46.02	1.81"	111.12	4.37"								
829-995 μ F	46.02	1.81"	111.12	4.37"								
850-1020 μ F	52.37	2.06"	111.12	4.37"								
1020-1224 μ F	52.37	2.06"	111.12	4.37"								
1175-1410 μ F	52.37	2.06"	111.12	4.37"								
1280-1536 μ F	52.37	2.06"	111.12	4.37"								



if you could not find your item of above, you could contact me by email at sales@china-capacitores.com Special specification are available on request.