

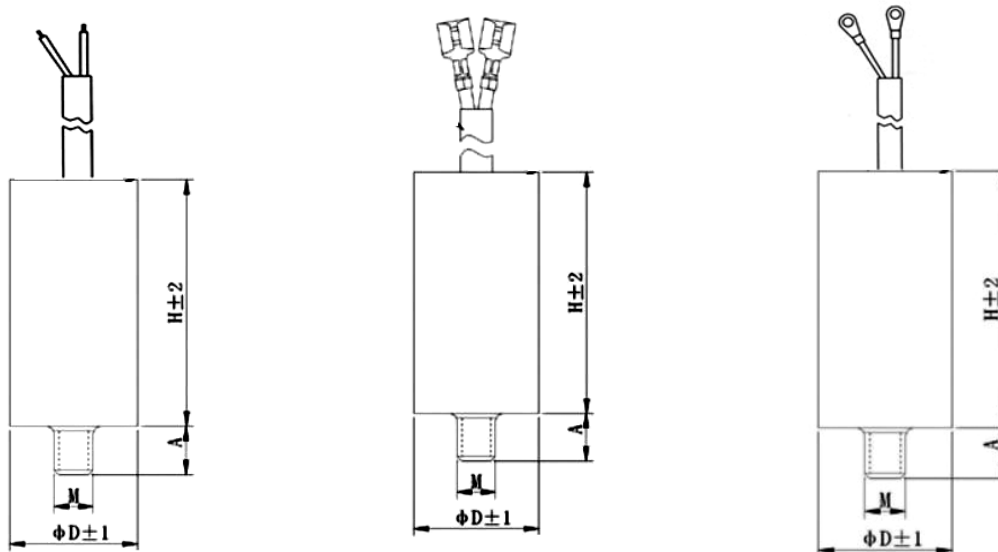


Features

CBB60C Motor Run Capacitor, Bipolar Cable, M8 Stud Optional

- 1) Very small dissipation factor, small inherent temperature rise
- 2) High insulation resistance
- 3) Good capacitance stability
- 4) Excellent self-healigh property
- 5) Safety and hight reliability due to flame reatardant plastic or metal case enclosure, flame retardant epoxy resin endfill.
- 6) It is applicable for the starting and running of AC single-way motor with 50~60Hz frequency.
- 7) Special requirment can be made at the request of customers.

Capacitor Drawing



Specification

Capacitance Range	1 μ F—100 μ F
Capacitance Tolerance	$\pm 5\%$, $\pm 10\%$
Rated Alternate Voltage	250VAC, 350AC, 370AC, 400VAC, 440VAC, 450VAC,500VAC
Rated Frequency	50/60 Hz
Dissipation Factors	$\leq 0.002(1\text{KHz}, 20^{\circ}\text{C})$
Operating Temp.	$-40^{\circ}\text{C} \sim +85^{\circ}\text{C}$ or $-40^{\circ}\text{C} \sim +70^{\circ}\text{C}$
Case Material	PBT, PP, Aluminium, Flammability Class – UL 94 V -2, 750C (RTI)
Dielectric	Polypropylene with self healing SH
Insulation Resistance	$\geq 3000\text{S}$
Weather Category	40/85/21, 25/70/21
Withstand voltage(Terminal to Terminal)	2 X Rated Voltage
Withstand voltage(Terminal to Case)	Minimum 2000 V AC for 1 Min.
Ref. Standard	IEC60252-1:2001,GB/T3667.1-2005,UL810
Quality System	ISO 9001: 2008
Approvals	CQC,CE,VDE,UL,RoHS
Application	Electrical motor, pump, washing machine, Power saver

Packing and Mark

CINCO

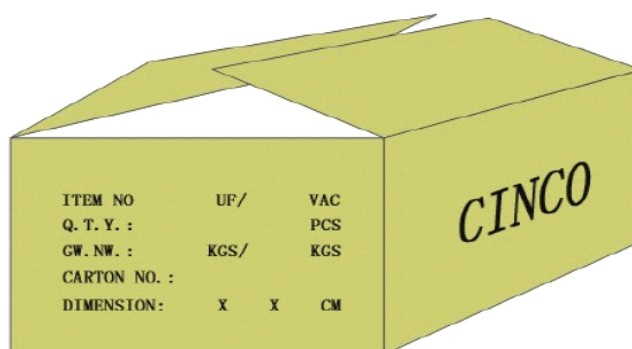
CBB60 SH

15 μ F \pm 5% P0

450V ~ 3000h/cl. C

400V ~ 10000h/cl. B

50/60Hz 25/70/21



Dimensions

Capacitance	400V – 450VAC				250V – 300VAC			
	D(mm)	D(inch)	H(mm)	H(inch)	D(mm)	D(inch)	H(mm)	H(inch)
0.5 μ F	30	1.18"	57	2.24"	30	1.18"	57	2.24"
1 μ F	30	1.18"	57	2.24"	30	1.18"	57	2.24"
1.5 μ F	30	1.18"	57	2.24"	30	1.18"	57	2.24"
2 μ F	30	1.18"	57	2.24"	30	1.18"	57	2.24"
2.5 μ F	30	1.18"	57	2.24"	30	1.18"	57	2.24"
3 μ F	30	1.18"	57	2.24"	30	1.18"	57	2.24"
3.5 μ F	30	1.18"	70	2.76"	30	1.18"	57	2.24"
4 μ F	30	1.18"	70	2.76"	30	1.18"	57	2.24"
4.5 μ F	30	1.18"	70	2.76"	30	1.18"	57	2.24"
5 μ F	30	1.18"	70	2.76"	30	1.18"	57	2.24"
6 μ F	30	1.18"	70	2.76"	30	1.18"	57	2.24"
7 μ F	30	1.18"	70	2.76"	30	1.18"	57	2.24"
7.5 μ F	30	1.18"	70	2.76"	30	1.18"	57	2.24"
8 μ F	35	1.38"	60	2.36"	35	1.38"	60	2.36"
9 μ F	35	1.38"	60	2.36"	35	1.38"	60	2.36"
10 μ F	35	1.38"	70	2.76"	35	1.38"	60	2.36"
12 μ F	35	1.38"	70	2.76"	35	1.38"	60	2.36"
12.5 μ F	35	1.38"	70	2.76"	35	1.38"	70	2.76"
14 μ F	35	1.38"	70	2.76"	35	1.38"	70	2.76"

CBB60 Motor Run Capacitor

Model : CBB60C

15 μ F	35	1.38"	70	2.76"	35	1.38"	70	2.76"
16 μ F	40	1.57"	70	2.76"	35	1.38"	70	2.76"
18 μ F	40	1.57"	70	2.76"	35	1.38"	70	2.76"
20 μ F	40	1.57"	70	2.76"	35	1.38"	70	2.76"
22 μ F	40	1.57"	70	2.76"	35	1.38"	70	2.76"
24 μ F	40	1.57"	70	2.76"	35	1.38"	70	2.76"
25 μ F	40	1.57"	80	3.15"	35	1.38"	70	2.76"
30 μ F	45	1.77"	92	3.62"	40	1.57"	70	2.76"
35 μ F	45	1.77"	92	3.62"	40	1.57"	70	2.76"
40 μ F	45	1.77"	92	3.62"	40	1.57"	70	2.76"
45 μ F	45	1.77"	92	3.62"	40	1.57"	70	2.76"
50 μ F	50	1.97"	92	3.62"	45	1.77"	92	3.62"
55 μ F	50	1.97"	100	3.94"	45	1.77"	92	3.62"
60 μ F	50	1.97"	116	4.57"	45	1.77"	92	3.62"
65 μ F	50	1.97"	116	4.57"	45	1.77"	92	3.62"
70 μ F	50	1.97"	116	4.57"	45	1.77"	92	3.62"
80 μ F	60	2.36"	120	4.72"	50	1.97"	100	3.94"
90 μ F	60	2.36"	120	4.72"	50	1.97"	100	3.94"
100 μ F	60	2.36"	120	4.72"	50	1.97"	100	3.94"



if you could not find your item of above, you could contact me by email at sales@china-capacitores.com Special specification are available on request.