

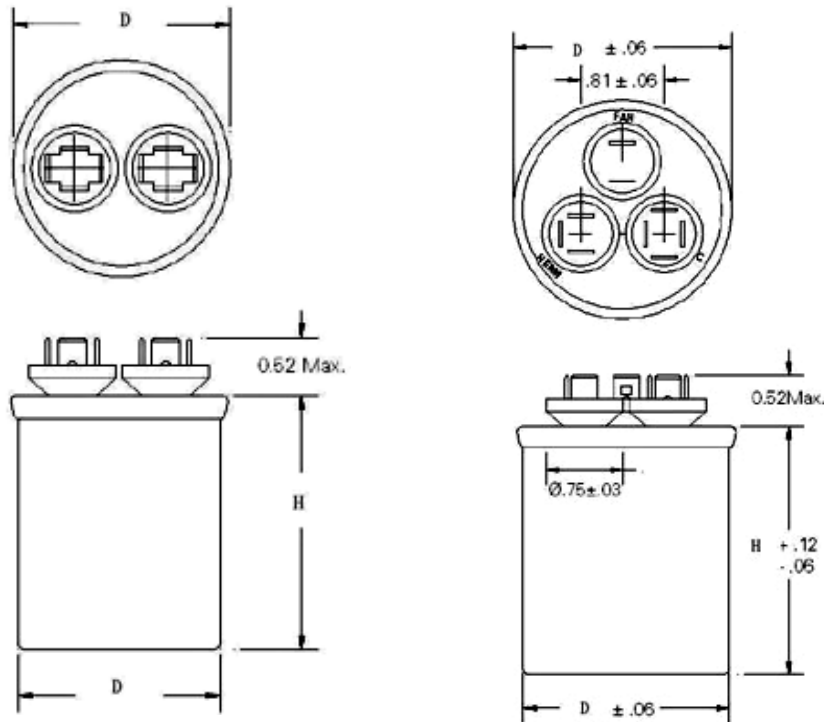


Features

CBB65A Motor Run Capacitor, Round metal can Single and dual type

- 1) Very small dissipation factor, small inherent temperature rise
- 2) High insulation resistance
- 3) Good capacitance stability
- 4) Excellent self-heal property
- 5) Safety and high reliability due to flame retardant plastic or metal case enclosure, flame retardant epoxy resin endfill.
- 6) It is applicable for the starting and running of AC single-way motor with 50~60Hz frequency.
- 7) Special requirement can be made at the request of customers.
- 8) Class P2 Explosion-proof

Capacitor Drawing



Specification

Item	Technical specification
Operating temperature	-25°C – +85°C
Capacitance Range	2μF – 100μF
Capacitance tolerance	±5%
Rated Voltage	250Vac – 540VAC
Dissipation Factor	tgδ≤0.002 (50Hz)
Withstand Voltage Between Leading-out ends	AC≥1.75Un 10S (Imax≤1.3InA)
Withstand Voltage Between Leading-out ends and Shell	2200VAC, 10S no breakdown
Insulation Resistance	3000MO.μF
Weather Category	25/70/21,40/85/21

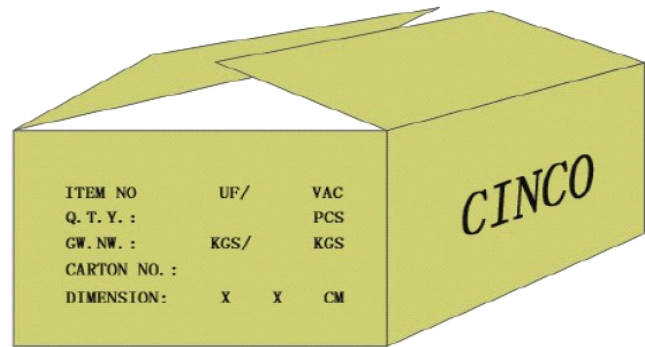
CBB65 Motor Run Capacitor

Model : CBB65A

Packing and Mark

CINCO

CBB65 SH
 25 μ F \pm 5% P2
 440VAC 50/60Hz
 PROTECTED
 NON PCB 10000AFC
 C22.2 No.190
 40/85/21 IEC60252-1



Dimensions

I : Single type air conditioner capacitor

Capacitance	Round Can							
	370 VAC – 400 VAC				440 VAC – 450 VAC			
	D(mm)	D (Inch)	H(mm)	H (Inch)	D (mm)	D (Inch)	H(mm)	H (Inch)
2 μ F	42	1.65"	60	2.36"	42	1.65"	60	2.36"
3 μ F	42	1.65"	60	2.36"	42	1.65"	60	2.36"
5 μ F	42	1.65"	60	2.36"	42	1.65"	60	2.36"
7.5 μ F	42	1.65"	60	2.36"	42	1.65"	60	2.36"
10 μ F	42	1.65"	70	2.76"	42	1.65"	70	2.76"
12.5 μ F	42	1.65"	70	2.76"	42	1.65"	80	3.15"
15 μ F	42	1.65"	80	3.15"	42	1.65"	80	3.15"
17.5 μ F	42	1.65"	80	3.15"	45	1.77"	90	3.54"
20 μ F	45	1.77"	80	3.15"	45	1.77"	90	3.54"
22.5 μ F	45	1.77"	80	3.15"	45	1.77"	90	3.54"
25 μ F	45	1.77"	90	3.54"	45	1.77"	90	3.54"
27.5 μ F	45	1.77"	90	3.54"	50	1.97"	100	3.94"
30 μ F	50	1.97"	100	3.94"	50	1.97"	100	3.94"
32.5 μ F	50	1.97"	100	3.94"	50	1.97"	100	3.94"
35 μ F	50	1.97"	100	3.94"	50	1.97"	110	4.33"
37.5 μ F	50	1.97"	100	3.94"	50	1.97"	110	4.33"
40 μ F	50	1.97"	110	4.33"	50	1.97"	110	4.33"

CBB65 Motor Run Capacitor

Model : CBB65A

45 μ F	50	1.97"	110	4.33"	50	1.97"	120	4.72"
50 μ F	50	1.97"	110	4.33"	50	1.97"	120	4.72"
55 μ F	55	2.17"	130	5.12"	55	2.17"	130	5.12"
60 μ F	55	2.17"	130	5.12"	55	2.17"	130	5.12"
65 μ F	55	2.17"	130	5.12"	60	2.36"	120	4.72"
70 μ F	60	2.36"	120	4.72"	60	2.36"	120	4.72"
80 μ F	60	2.36"	120	4.72"	60	2.36"	130	5.12"
100 μ F	60	2.36"	120	4.72"	60	2.36"	130	5.12"

II : Dual type air conditioner capacitor

Capacitance	Round Can							
	370 VAC – 400 VAC				440 VAC – 450 VAC			
	D (mm)	D (inch)	H (mm)	H (inch)	D (mm)	D (inch)	H (mm)	H (inch)
15+1.5 μ F	45	1.77"	80	3.15"	45	1.77"	80	3.15"
15+3 μ F	45	1.77"	80	3.15"	45	1.77"	80	3.15"
15+5 μ F	45	1.77"	80	3.15"	45	1.77"	80	3.15"
20+1.5 μ F	45	1.77"	80	3.15"	45	1.77"	80	3.15"
20+3 μ F	45	1.77"	90	3.54"	45	1.77"	90	3.54"
20+5 μ F	45	1.77"	90	3.54"	50	1.97"	90	3.54"
25+1.5 μ F	45	1.77"	90	3.54"	50	1.97"	90	3.54"
25+2.5 μ F	45	1.77"	90	3.54"	50	1.97"	90	3.54"
25+3 μ F	45	1.77"	90	3.54"	50	1.97"	90	3.54"
25+4 μ F	45	1.77"	90	3.54"	50	1.97"	90	3.54"
25+5 μ F	45	1.77"	90	3.54"	50	1.97"	90	3.54"
30+1.5 μ F	50	1.97"	100	3.94"	50	1.97"	100	3.94"
30+2.5 μ F	50	1.97"	100	3.94"	50	1.97"	100	3.94"
30+3 μ F	50	1.97"	100	3.94"	50	1.97"	100	3.94"
30+4 μ F	50	1.97"	100	3.94"	50	1.97"	100	3.94"
30+5 μ F	50	1.97"	100	3.94"	50	1.97"	100	3.94"
35+1.5 μ F	50	1.97"	100	3.94"	50	1.97"	100	3.94"
35+2.5 μ F	50	1.97"	100	3.94"	50	1.97"	100	3.94"
35+3 μ F	50	1.97"	100	3.94"	50	1.97"	100	3.94"
35+4 μ F	50	1.97"	100	3.94"	50	1.97"	100	3.94"
35+5 μ F	50	1.97"	100	3.94"	50	1.97"	110	4.33"
35+6 μ F	50	1.97"	100	3.94"	50	1.97"	110	4.33"
40+1.5 μ F	50	1.97"	110	4.33"	50	1.97"	110	4.33"
40+2.5 μ F	50	1.97"	110	4.33"	50	1.97"	110	4.33"
40+3 μ F	50	1.97"	110	4.33"	50	1.97"	110	4.33"
40+4 μ F	50	1.97"	110	4.33"	50	1.97"	110	4.33"
40+5 μ F	50	1.97"	110	4.33"	50	1.97"	110	4.33"
40+6 μ F	50	1.97"	110	4.33"	50	1.97"	110	4.33"

CBB65 Motor Run Capacitor

Model : CBB65A

40+7.5μF	50	1.97"	110	4.33"	50	1.97"	120	4.72"
40+10μF	50	1.97"	110	4.33"	50	1.97"	120	4.72"
45+1.5μF	50	1.97"	110	4.33"	50	1.97"	120	4.72"
45+2.5μF	50	1.97"	110	4.33"	50	1.97"	120	4.72"
45+3μF	50	1.97"	110	4.33"	50	1.97"	120	4.72"
45+4μF	50	1.97"	110	4.33"	50	1.97"	120	4.72"
45+5μF	50	1.97"	110	4.33"	50	1.97"	120	4.72"
45+6μF	55	2.17"	120	4.72"	55	2.17"	120	4.72"
50+1.5μF	55	2.17"	120	4.72"	55	2.17"	120	4.72"
50+2.5μF	55	2.17"	120	4.72"	55	2.17"	120	4.72"
50+3μF	55	2.17"	120	4.72"	55	2.17"	120	4.72"
50+4μF	55	2.17"	120	4.72"	55	2.17"	120	4.72"
50+5μF	55	2.17"	120	4.72"	55	2.17"	120	4.72"
50+6μF	55	2.17"	120	4.72"	55	2.17"	120	4.72"
50+7.5μF	55	2.17"	130	5.12"	55	2.17"	130	5.12"
50+10μF	55	2.17"	130	5.12"	55	2.17"	130	5.12"
55+1.5μF	55	2.17"	120	4.72"	55	2.17"	120	4.72"
55+2.5μF	55	2.17"	120	4.72"	55	2.17"	120	4.72"
55+3μF	55	2.17"	120	4.72"	55	2.17"	120	4.72"
55+4μF	55	2.17"	120	4.72"	55	2.17"	120	4.72"
55+5μF	55	2.17"	130	5.12"	55	2.17"	130	5.12"
55+6μF	55	2.17"	130	5.12"	55	2.17"	130	5.12"
55+7.5μF	55	2.17"	130	5.12"	55	2.17"	130	5.12"
55+10μF	55	2.17"	130	5.12"	55	2.17"	130	5.12"
60+1.5μF	55	2.17"	130	5.12"	55	2.17"	130	5.12"
60+2.5μF	55	2.17"	130	5.12"	55	2.17"	130	5.12"
60+3μF	55	2.17"	130	5.12"	55	2.17"	130	5.12"
60+4μF	55	2.17"	130	5.12"	55	2.17"	130	5.12"
60+5μF	55	2.17"	130	5.12"	55	2.17"	130	5.12"
60+6μF	55	2.17"	130	5.12"	55	2.17"	130	5.12"
60+7.5μF	60	2.36"	130	5.12"	60	2.36"	130	5.12"
60+10μF	60	2.36"	130	5.12"	60	2.36"	130	5.12"
65+1.5μF	55	2.17"	130	5.12"	55	2.17"	130	5.12"
65+3μF	55	2.17"	130	5.12"	55	2.17"	130	5.12"
65+5μF	60	2.36"	130	5.12"	65	2.56"	135	5.31"
65+7.5μF	60	2.36"	130	5.12"	65	2.56"	135	5.31"
70+5μF	60	2.36"	130	5.12"	65	2.56"	135	5.31"
80+5μF	60	2.36"	130	5.12"	65	2.56"	135	5.31"
80+7.5μF	60	2.36"	130	5.12"	65	2.56"	135	5.31"
80+10μF	60	2.36"	130	5.12"	65	2.56"	135	5.31"



if you could not find your item of above, you could contact me by email at sales@china-capacitores.com Special specification are available on request.