

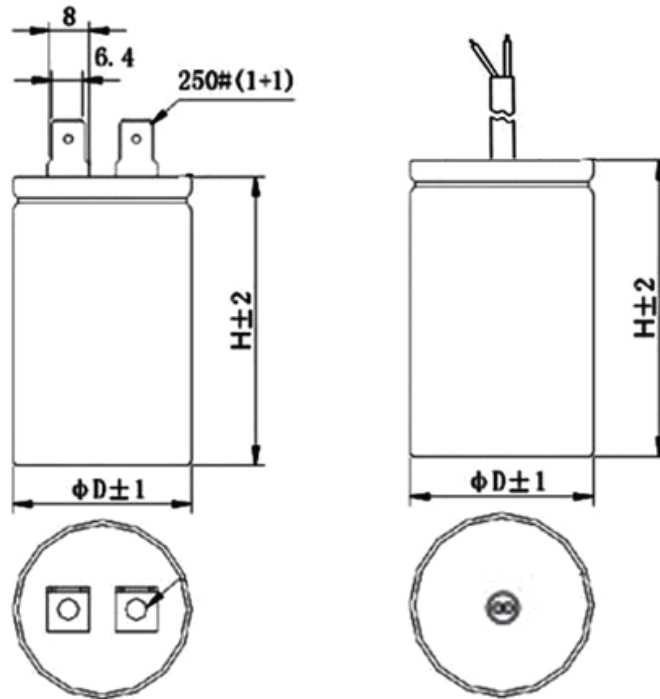


Features

CD60 Motor start capacitor aluminum Can blue color

It applies to A.C.single phase motor, with frequency 50/60Hz, rated voltage 110-330VAC. It can help motors gain high torque with low starting current and make motor start normally. It can also start to refrigerators and compressors of air condition ,etc.

Capacitor Drawing



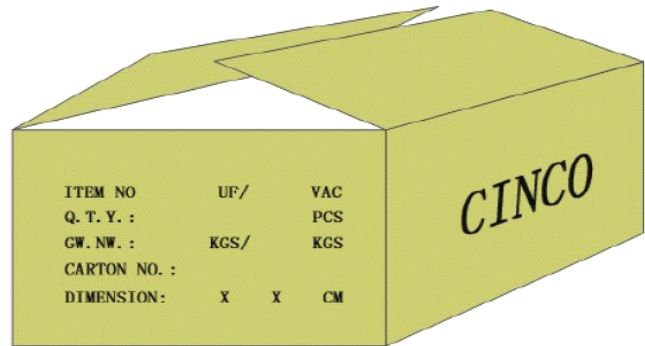
Specification

Working Temperature Range	-40—+65 °C
Rated Voltage Range	110V,150V,165V,220V,250V,275V,300V,330VAC
Rated Capacitance Range	50-1000uF
Dissipation Factor	Tan \leq 0.01 (50 Hz)
Rated Tolerance of capacitance	0-+20%
Without Voltage Between Terminal	Apply 1.25 times working voltage, for 2 Seconds,without break down or explosion
Withstand Voltage Between Terminal case	2000Vac ,for 10 seconds,without break down or explosion

Packing and Mark

CINCO

CD60 Capacitor
 270-324 μ F 0- +20%
 220 / 250 V.AC
 50/60Hz 25/55/21



ITEM NO UF/ VAC
 Q. T. Y. : PCS
 GW. NW. : KGS/ KGS
 CARTON NO. :
 DIMENSION : X X CM

Dimensions

Capacitance	Rated Voltage 115V- 165V				Rated Voltage 220V- 275V				Rated Voltage 300V- 330V			
	D (mm)	D (in)	H (mm)	H (in)	D (mm)	D (in)	H (mm)	H (in)	D (mm)	D (in)	H (mm)	H (in)
50-100 μ F	34	1.34"	80	3.15"	34	1.34"	80	3.15"	34	1.34"	80	3.15"
100-120 μ F	34	1.34"	80	3.15"	34	1.34"	80	3.15"	34	1.34"	80	3.15"
120-150 μ F	34	1.34"	80	3.15"	34	1.34"	80	3.15"	34	1.34"	80	3.15"
150-200 μ F	34	1.34"	80	3.15"	34	1.34"	80	3.15"	34	1.34"	80	3.15"
200-250 μ F	34	1.34"	80	3.15"	34	1.34"	80	3.15"	34	1.34"	80	3.15"
250-300 μ F	42	1.65"	70	2.76"	42	1.65"	70	2.76"	42	1.65"	70	2.76"
350-400 μ F	42	1.65"	70	2.76"	42	1.65"	70	2.76"	42	1.65"	70	2.76"
400-500 μ F	42	1.65"	70	2.76"	42	1.65"	70	2.76"	42	1.65"	70	2.76"
500-600 μ F	50	1.97"	100	3.94"	50	1.97"	100	3.94"	50	1.97"	100	3.94"
700-800 μ F	50	1.97"	100	3.94"	50	1.97"	100	3.94"	50	1.97"	100	3.94"
800-1000 μ F	50	1.97"	120	4.72"	50	1.97"	120	4.72"	50	1.97"	120	4.72"

if you could not find your item of above, you could contact me by email at sales@china-capacitores.com. Special specification are available on request.